



Amphenol

Industrial

SURLOK® PLUS SERIES

SURLOK® PLUS SPECIFICATIONS

DESCRIPTION AND CHARACTERISTICS

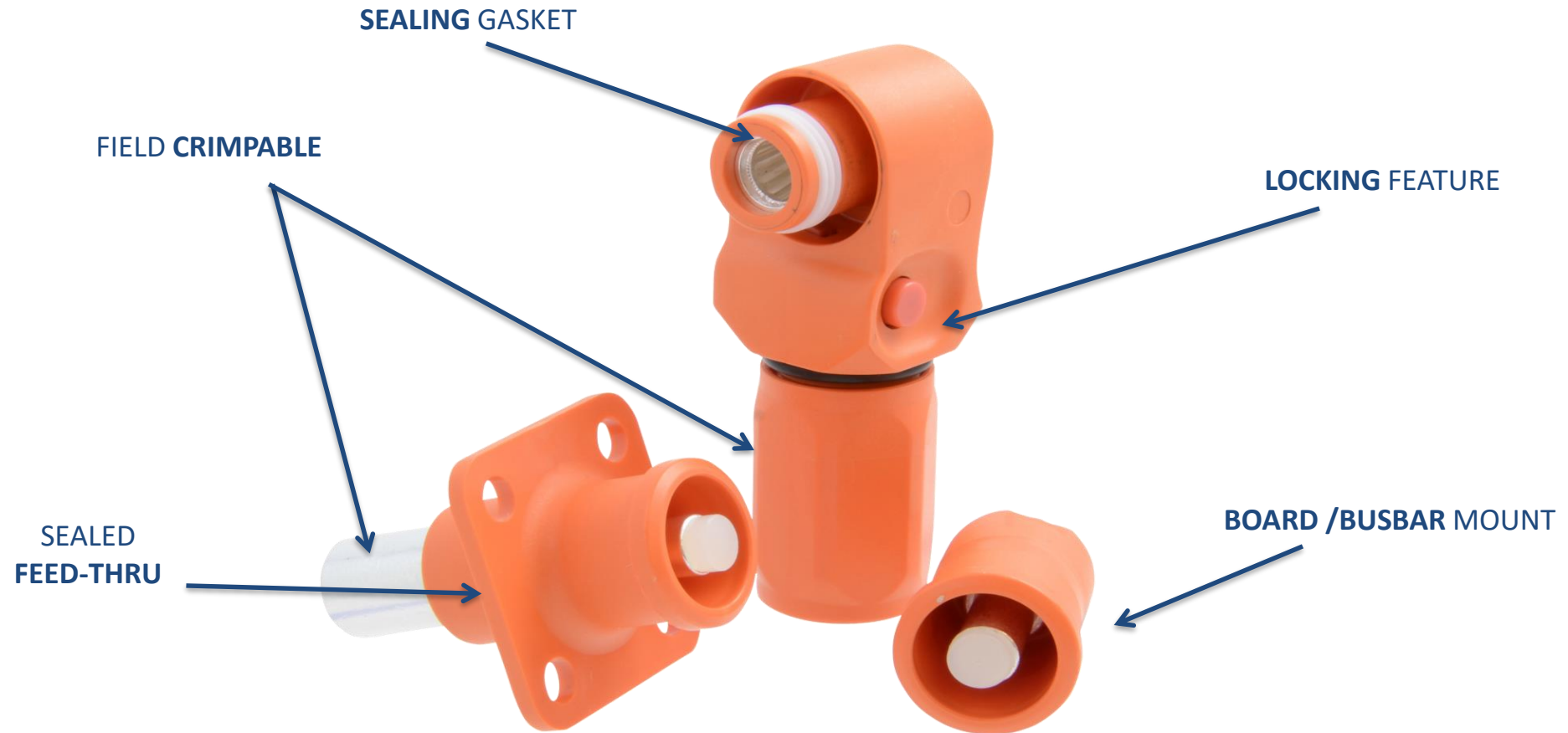
- QUICK LOCKING FEATURE TO REPLACE A CABLE LUG
- MOLDED PLASTIC PROTECTION CAP WITH INTEGRATED LOCKING MECHANISM
- COPPER FUSIONLUG WITH INTEGRATED RADSOK R4
- AVAILABLE PRE-ASSEMBLED WITH CABLE
- AVAILABLE ALSO WITH EXPOSED CRIMP BARREL FOR CUSTOMER TERMINATION
- CURRENT RATING 120AMP UP TO 300AMP AT 80C (400AMP AT 20C)
- VOLTAGE RATING 1000V AND 1500V OPTIONS
- AVAILABLE IN DIFFERENT COLORS: ORANGE (STANDARD), RED, AND BLACK
- ROHS & REACH COMPLIANT
- IP67-IP6K9K IN MATED CONDITION
- IP2X IN UNMATED CONDITION - PANEL FEED-THRU IS IP67-IP6K9K TOWARDS INSIDE
- MECHANICAL KEYING OPTIONS
- RIGHT ANGLE STANDARD AND STRAIGHT PLUG AVAILABLE
- EMI OPTION WITH HVIL ON THE 8,00MM VERSION



AVAILABLE SIZES

- 3,6MM, FOR 6,0MM² TO 10MM²
- 5,7MM, FOR 16MM² TO 25MM²
- 8,0MM, FOR 35MM² TO 50MM² - **EMI VERSION ONLY AVAILABLE IN 8,0MM AND UP TO 70MM²**
- 10,3MM, FOR 70MM² TO 95MM²
- 12,0MM FOR 95MM² TO 120MM²
- 14,0MM, FOR 95MM² TO 150MM² - **BOTH EMI AND NOT EMI RELEASED Q3 2022**

1000V SURLOK® PLUS OVERVIEW



50A to 500A
AT 80C OPERATING

RADSOK®
CONTACT TECHNOLOGY

1500V SURLOK® PLUS OVERVIEW



50A to 500A
AT 80C OPERATING



TUV 2PFG2740



1500 VDC



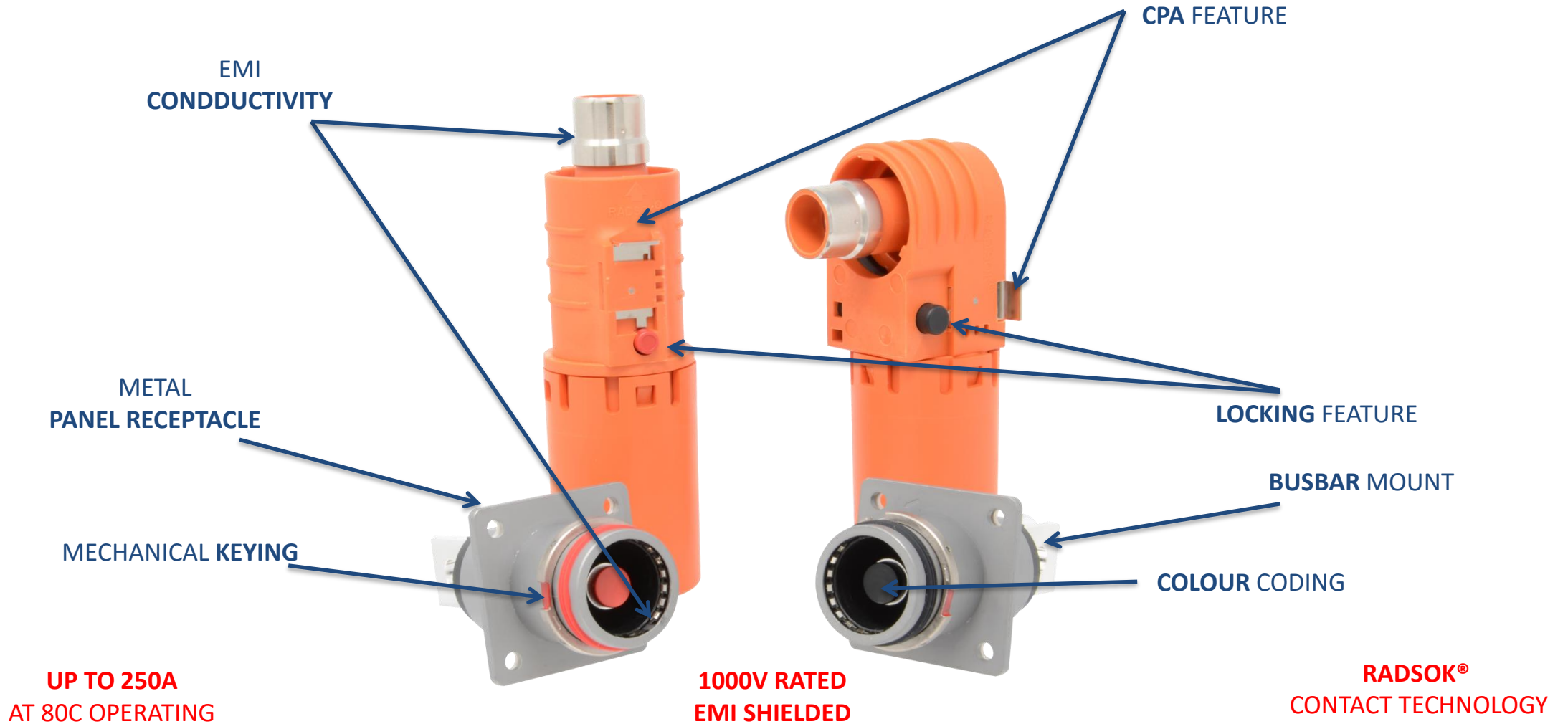
UL 4128



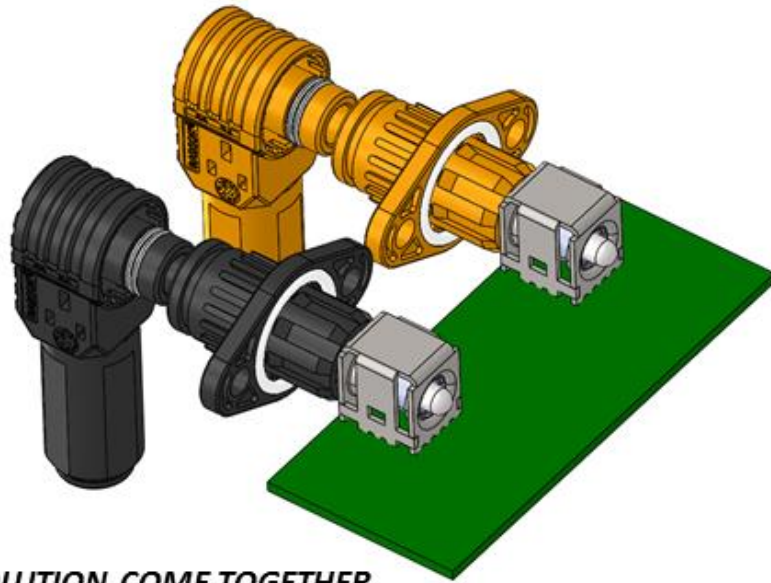
16-120 MM²

RADSOK®
CONTACT TECHNOLOGY

SURLOK® PLUS EMI OVERVIEW



SURLOK® PLUS 3,6MM OVERVIEW



**SOLUTION COME TOGETHER
MAKE THINGS EASIER**



SURLOK® PLUS 3,6MM IS AVAILABLE NOW



1500 VDC



UL 4128



360° ROTATION



6-10 MM²

Amphenol
Industrial



SURLOK® PLUS 3,6MM SOLUTIONS



RIGHT ANGLE PLUG – 1500V
(IP67-IP6K9K IN MATED CONDITION)
6 AND 10MM² CABLES



SEALED FEED-THRU 1500V
THREADED



SEALED FEED-THRU 1500V
BUSBAR



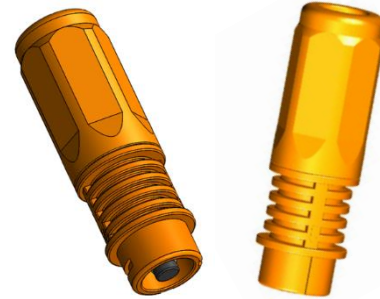
SURLOK® PLUS 5,7MM SOLUTIONS



RIGHT ANGLE PLUG - 1000V
(IP67-IP6K9K IN MATED CONDITION)
16 AND 25MM² CABLES



STRAIGHT PLUG - 1000V
(IP67-IP6K9K IN MATED CONDITION)
16 AND 25MM² CABLES



INLINE RECEPTACLE- 1000V
(IP67-IP6K9K IN MATED CONDITION)
16 AND 25MM² CABLES



SEALED FEED-THRU – 1000V
BUSBAR – CRIMP - THREADED



RIGHT ANGLE PLUG - 1500V
(IP67-IP6K9K IN MATED CONDITION)
16 AND 25MM² CABLES



SEALED FEED-THRU - 1500V
BUSBAR – THREADED

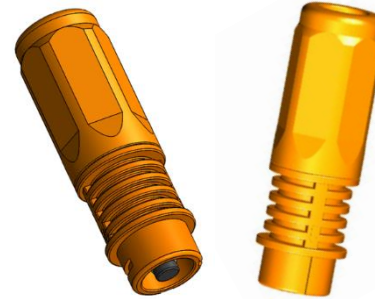
SURLOK® PLUS 8,0MM SOLUTIONS



RIGHT ANGLE PLUG - 1000V
(IP67-IP6K9K IN MATED CONDITION)
35 AND 50MM² CABLES



STRAIGHT PLUG - 1000V
(IP67-IP6K9K IN MATED CONDITION)
35 AND 50MM² CABLES



INLINE RECEPTACLE- 1000V
(IP67-IP6K9K IN MATED CONDITION)
35 AND 50MM² CABLES



SEALED FEED-THRU – 1000V
BUSBAR – CRIMP - THREADED



RIGHT ANGLE PLUG - 1500V
(IP67-IP6K9K IN MATED CONDITION)
35 AND 50MM² CABLES



SEALED FEED-THRU - 1500V
BUSBAR – THREADED

SURLOK® PLUS 10,3MM SOLUTIONS



RIGHT ANGLE PLUG – 1000V
(IP67-IP6K9K IN MATED CONDITION)
50, 70 AND 95MM² CABLES



SEALED FEED-THRU BUSBAR – 1000V
CRIMP - THREADED



RIGHT ANGLE PLUG - 1500V
(IP67-IP6K9K IN MATED CONDITION)
50, 70 AND 95MM² CABLES



SEALED FEED-THRU - 1500V
BUSBAR – THREADED

SURLOK® PLUS 12MM SOLUTIONS

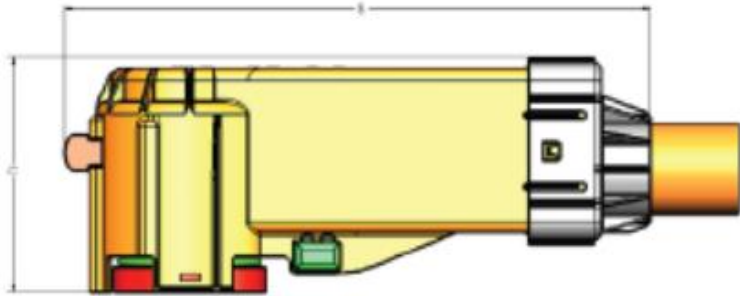
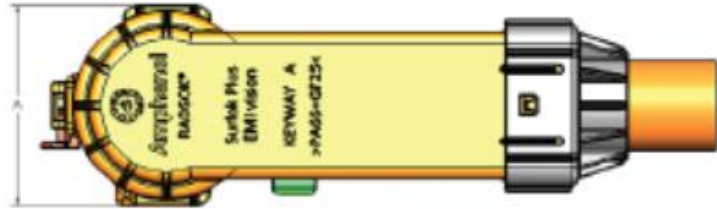


RIGHT ANGLE PLUG - 1500V
(IP67-IP6K9K IN MATED CONDITION)
95 AND 120MM² CABLES



SEALED FEED-THRU - 1500V
BUSBAR – THREADED

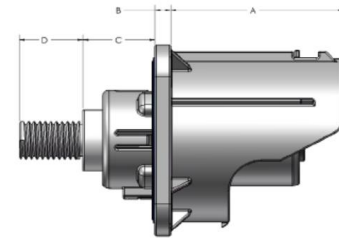
NEW SURLOK® PLUS 14,0MM SOLUTIONS (SOP Q3 2022)



RIGHT ANGLE PLUG - FIELD INSTALLABLE
(IP67-IP6K9K IN MATED CONDITION)
95, 120 AND 150MM² CABLES
SHIELDED AND UNSHIELDED



1500V WITH MECHANICAL KEYWAY
AND COLOR CODING OPTION



SEALED FEED-THRU BUSBAR THREADED
(IP67-IP6K9K TOWARDS INSIDE PANEL)
METAL

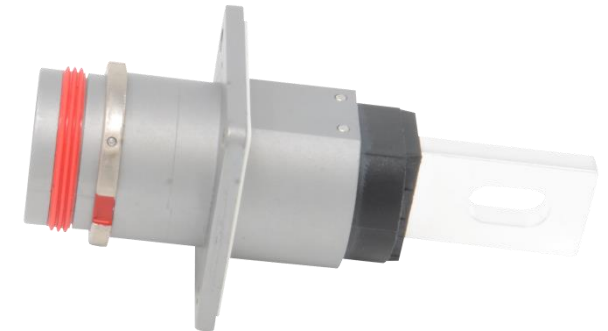
SURLOK® PLUS 8,0MM EMI SOLUTIONS



RIGHT ANGLE PLUG EMI WITH HVIL - FIELD INSTALLABLE
(IP67-IP6K9K IN MATED CONDITION)
35,50 AND 70MM² CABLES



STRAIGHT PLUG EMI WITH HVIL - FIELD INSTALLABLE
(IP67-IP6K9K IN MATED CONDITION)
35,50 AND 70MM² CABLES



SEALED FEED-THRU BUSBAR WITH HVIL
(IP67-IP6K9K TOWARDS INSIDE PANEL)

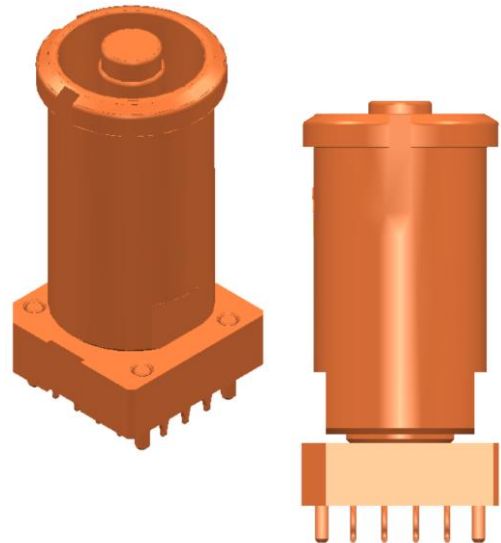
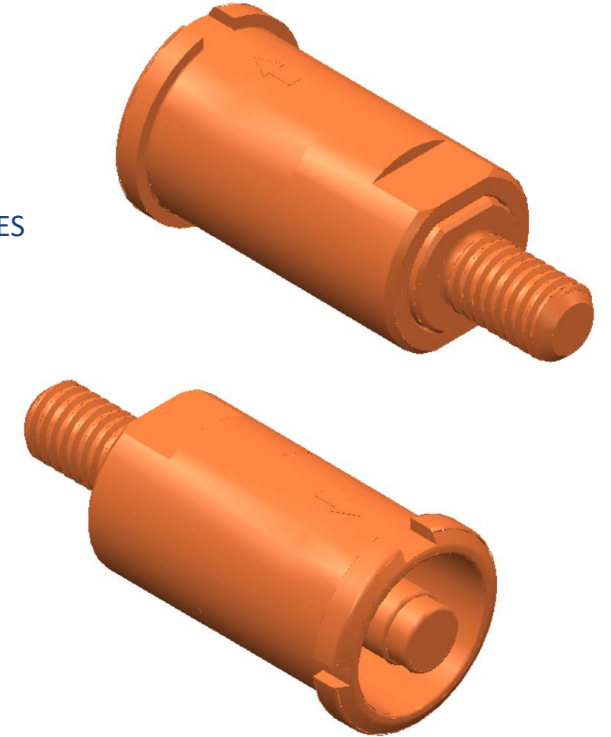
1000V WITH MECHANICAL KEYWAY
AND COLOR CODING OPTION

SURLOK® PLUS FOR BUSBAR & PCB

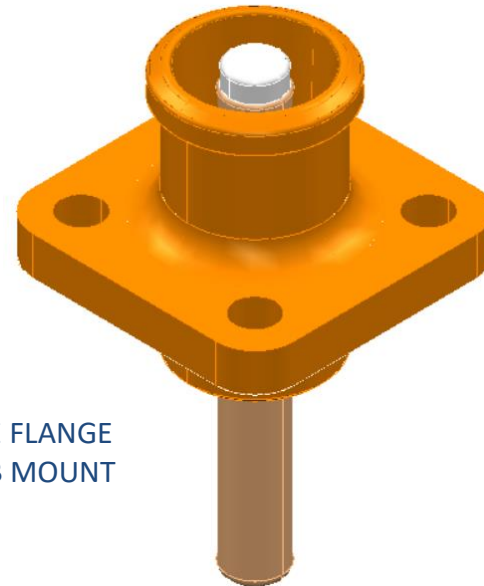


ROUND RECEPTACLES
FOR PCB MOUNT

ROUND RECEPTACLES
FOR BUSBAR



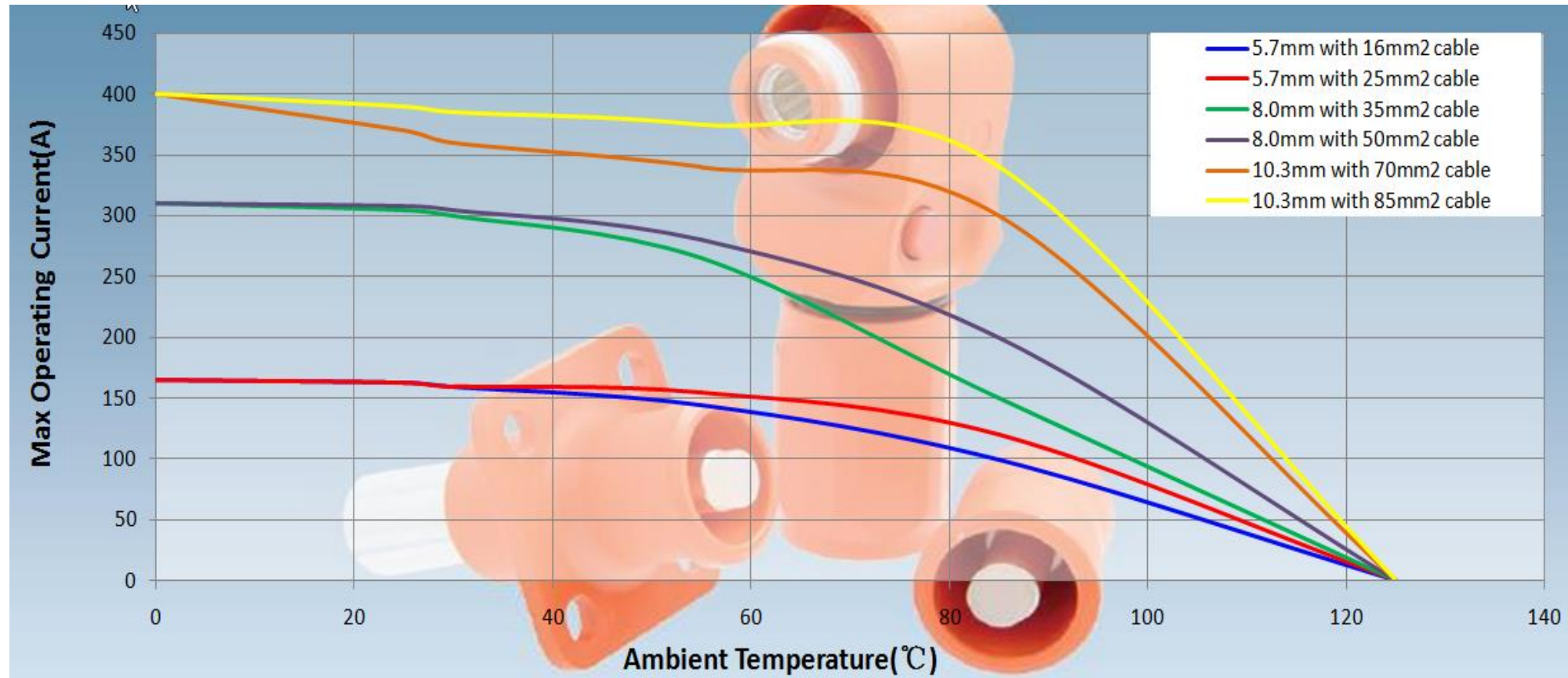
SQUARE FLANGE
FOR PCB MOUNT



SURLOK® PLUS COLOUR CODING



SURLOK® PLUS DE-RATING



SURLOK® PLUS ORDERING CODE – RECEPTACLE NON EMI 1

EXAMPLE

1-PRODUCT SERIES	2-SHELL TYPE	3-SIZE	4-TERMINATION	5-FLANGE OPTION	6-SEALING	7-COLOUR	8-KEYWAY
SLP	IR	A	B	P	S	O	1

1-PRODUCT SERIES

SLP SURLOK PLUS

2-SHELL TYPE

CR INLINE RECEPTACLE 1000V – ONLY FOR 5,7MM AND 8,00MM
 R PANEL RECEPTACLE LESS KEYWAY 1000V – ONLY FOR 5,7MM AND 8,0MM (LEAVE KEYWAY OPTION BACK AT END PN)
 IR PANEL RECEPTACLE WITH KEYWAY 1000V – ONLY FOR 5,7MM, 8,0M AND 10,3MM (KEYWAY SELECTION AT END PN)
 HIR PANEL RECEPTACLE WITH KEYWAY 1500V – ONLY FOR 3,6MM, 5,7MM, 8,0M AND 10,3MM (KEYWAY SELECTION AT END PN)

3-SIZE

M 3,6MM RADSOK® UP TO 70A AT 85C WITH 30C T-RISE/100A AT 25C ACCORDING IEC61984
 A 5,7MM RADSOK® UP TO 120A AT 85C WITH 30C T-RISE/160A AT 25C ACCORDING IEC61984
 B 8,0MM RADSOK® UP TO 200A AT 85C WITH 30C T-RISE/300A AT 25C ACCORDING IEC61984
 C 10,3MM RADSOK® UP TO 300A AT 85C WITH 30C T-RISE/400A AT 25C ACCORDING IEC61984

4-TERMINATION & CABLE SIZE

B FLAT BUSBAR (ALL SIZES)
 T THREADED BUSBAR (ALL SIZES)
 16C/16 CRIMP FOR 16MM² CABLE/ CRIMP FOR 16MM² CABLE INLINE RECEPTACLE (FOR 5,7MM ONLY)
 25C/16 CRIMP FOR 25MM² CABLE/ CRIMP FOR 25MM² CABLE INLINE RECEPTACLE (FOR 5,7MM ONLY)
 35C/35 CRIMP FOR 35MM² CABLE/ CRIMP FOR 35MM² CABLE INLINE RECEPTACLE (FOR 8MM ONLY)
 50C/50 CRIMP FOR 50MM² CABLE/ CRIMP FOR 50MM² CABLE INLINE RECEPTACLE (FOR 8 AND 10,3MM)
 70C CRIMP FOR 70MM² CABLE (FOR 10,3MM ONLY)
 85C CRIMP FOR 85MM² CLASS 6 AND 95MM² CLASS 5 CABLE (FOR 10,3MM ONLY)

5-FLANGE OPTION

P PANEL RECEPTACLE WITH FLANGE (STANDARD)
 B INLINE RECEPTACLE WITH BACKSHELL (ONLY FOR 5,7MM AND 8,0MM)

SURLOK® PLUS ORDERING CODE – RECEPTACLE NON EMI 2

EXAMPLE

1-PRODUCT SERIES	2-SHELL TYPE	3-SIZE	4-TERMINATION	5-FLANGE OPTION	6-SEALING	7-COLOUR	8-KEYWAY
SLP	R	A	B	P	S	O	1

6-SEALING

S	SEALED (STANDARD AND RECCOMENDED)
N	NOT SEALED

7-COLOUR

O	ORANGE (STANDARD)
B	BLACK
R	RED

8-KEYWAY

BLANK	NO KEYWAY 1000V VERSION
0	90° 1000V VERSION
1	180° 1000V VERSION (20° 1500V VERSION ONLY)
2	60° 1000V VERSION(30° 1500V VERSION ONLY)
3	120° 1000V VERSION (45° 1500V VERSION ONLY)
4	150° 1000V VERSION

NOTE FOR INLINE RECEPTACLE ONLY 2 KEYWAYS ARE AVAILABLE: 90° AND 120°

SURLOK® PLUS ORDERING CODE – PLUG NON EMI 1

EXAMPLE

1-PRODUCT SERIES	2-SHELL TYPE	3-SIZE	4-TERMINATION	5-BACKSHELL	6-SEALING	7-COLOUR	8-KEYWAY
SLP	P	A	16	B	S	O	1

1-PRODUCT SERIES

SLP SURLOK PLUS

2-SHELL TYPE

P 1000V RIGHT ANGLE PLUG
 IP 1000V STRAIGHT PLUG
 HP 1500V RIGHT ANGLE PLUG

3-SIZE

M 3,6MM RADSOK® UP TO 70A AT 85C WITH 30C T-RISE/100A AT 25C ACCORDING IEC61984
 A 5,7MM RADSOK® UP TO 120A AT 85C WITH 30C T-RISE/160A AT 25C ACCORDING IEC61984
 B 8,0MM RADSOK® UP TO 200A AT 85C WITH 30C T-RISE/300A AT 25C ACCORDING IEC61984
 C 10,3MM RADSOK® UP TO 300A AT 85C WITH 30C T-RISE/400A AT 25C ACCORDING IEC61984
 D 10,3MM RADSOK® UP TO 400A AT 85C WITH 30C T-RISE/450A AT 25C ACCORDING IEC61984

4-TERMINATION & CABLE SIZE

06 CRIMP FOR 6MM² CABLE (FOR 3,6MM ONLY)
 10 CRIMP FOR 10MM² CABLE (FOR 3,6MM ONLY)
 16 CRIMP FOR 16MM² CABLE (FOR 5,7MM ONLY)
 25 CRIMP FOR 25MM² CABLE (FOR 5,7MM ONLY)
 35 CRIMP FOR 35MM² CABLE (FOR 8MM ONLY)
 50 CRIMP FOR 50MM² CABLE (FOR 8 AND 10,3MM)
 70 CRIMP FOR 70MM² CABLE (FOR 10,3MM ONLY)
 85 CRIMP FOR 85MM² CLASS 6 AND 95MM² CLASS 5 CABLE (FOR 10,3MM ONLY)
 95 CRIMP FOR 95MM² CLASS 6 (FOR 10,3MM AND 12MM ONLY)
 120 CRIMP FOR 120MM² CLASS 6 (FOR 12MM ONLY)

5-BACKSHELL

B WITH BACKSHELL (STANDARD)
 N WITHOUT BACKSHELL (ON REQUEST AND FOR OVERMOLDING ONLY)

SURLOK® PLUS ORDERING CODE – PLUG NON EMI 2

EXAMPLE

1-PRODUCT SERIES	2-SHELL TYPE	3-SIZE	4-TERMINATION	5-BACKSHELL	6-SEALING	7-COLOUR	8-KEYWAY
SLP	P	A	16	P	S	O	1

6-SEALING

S	SEALED (STANDARD AND RECCOMENDED)
N	NOT SEALED

7-COLOUR

O	ORANGE (STANDARD)
B	BLACK
R	RED

8-KEYWAY

BLANK	NO KEYWAY 1000V VERSION
0	90° 1000V VERSION
1	180° 1000V VERSION (20° 1500V VERSION ONLY)
2	60° 1000V VERSION(30° 1500V VERSION ONLY)
3	120° 1000V VERSION (45° 1500V VERSION ONLY)
4	150° 1000V VERSION

NOTE **WHEN PLUG IS USED WITH INLINE RECEPTACLE ONLY 2 KEYWAYS ARE AVAILABLE: 90° AND 120°**

SURLOK® PLUS ORDERING CODE – PLUG&RECEPTACLE EMI 1

EXAMPLE

1-PRODUCT SERIES	2-SHELL TYPE	3-SIZE	4-TERMINATION	5-FLANGE OPTION	6-SEALING	7-COLOUR	8-KEYWAY	9-HVIL
SLP	R	A	B	P	S	O	1	EH

1-PRODUCT SERIES

SLP SURLOK PLUS

2-SHELL TYPE

P	RIGHT ANGLE PLUG 1000V
IP	STRAIGHT PLUG 1000V
R	PANEL RECEPTACLE LESS KEYWAY 1000V (LEAVE KEYWAY OPTION BACK AT END PN)
IR	PANEL RECEPTACLE WITH KEYWAY 1000V(KEYWAY SELECTION AT END PN)
HIR	PANEL RECEPTACLE WITH KEYWAY 1500V AND 14,0MM RADSOK CONTACT (KEYWAY SELECTION AT END PN)
HP	RIGHT ANGLE PLUG 1500V AND 14,0MM RADSOK CONTACT

3-SIZE

B	8,0MM RADSOK® UP TO 200A AT 85C WITH 30C T-RISE/300A AT 25C ACCORDING IEC61984
E	14,0MM RADSOK® UP TO 500A AT 85C WITH 30C T-RISE/600A AT 25C ACCORDING IEC61984

4-TERMINATION & CABLE SIZE

B	FLAT BUSBAR
T	THREADED BUSBAR FOR 14,0MM ONLY
35	CRIMP FOR 35MM ² CABLE SHIELDED (8,0MM ONLY)
50	CRIMP FOR 50MM ² CABLE SHIELDED (8,0MM ONLY)
70	CRIMP FOR 70MM ² CABLE SHIELDED (8,0MM ONLY)
S95	CRIMP FOR 95MM ² CABLE SHIELDED (14,0MM ONLY)
S120	CRIMP FOR 120MM ² CABLE SHIELDED (14,0MM ONLY)
S150	CRIMP FOR 150MM ² CABLE SHIELDED (14,0MM ONLY)
U95	CRIMP FOR 95MM ² CABLE UNSHIELDED (14,0MM ONLY)
U120	CRIMP FOR 120MM ² CABLE UNSHIELDED (14,0MM ONLY)
U150	CRIMP FOR 150MM ² CABLE UNSHIELDED (14,0MM ONLY)

SURLOK® PLUS ORDERING CODE – PLUG&RECEPTACLE EMI 2

EXAMPLE

1-PRODUCT SERIES	2-SHELL TYPE	3-SIZE	4-TERMINATION	5-FLANGE OPTION	6-SEALING	7-COLOUR	8-KEYWAY	9-HVIL
SLP	R	A	B	P	S	O	1	EH

5-HARDWARE STYLE

P RECEPTACLE WITH FLANGE FOR RECEPTACLE ONLY
 B WITH BACKSHELL FOR PLUG ONLY (STADNARD)
 N WITHOUT BACKSHELL FOR PLUG ONLY (ON REQUEST AND FOR OVERMOLDING ONLY)

6-SEALING

S SEALED (STANDARD AND RECCOMENDED)
 N NOT SEALED

7-COLOUR

O ORANGE (STANDARD)
 B BLACK
 R RED
 G GREY (STANDARD AND ONLY OPTION FOR 14,0MM RECEPTACLE)

8-KEYWAY

0 90° FOR 8,0MM
 1 270° FOR 8,0MM
 2 60° FOR 8,0MM
 3 120° FOR 8,0MM
 4 150° FOR 8,0MM
 A KEYWAY A FOR 14,0MM ONLY
 B KEYWAY B FOR 14,0MM ONLY
 C KEYWAY C FOR 14,0MM ONLY
 D KEYWAY D FOR 14,0MM ONLY
 E KEYWAY E FOR 14,0MM ONLY

SURLOK® PLUS ORDERING CODE – PLUG&RECEPTACLE EMI 3

EXAMPLE

1-PRODUCT SERIES	2-SHELL TYPE	3-SIZE	4-TERMINATION	5-FLANGE OPTION	6-SEALING	7-COLOUR	8-KEYWAY	9-HVIL
SLP	R	A	B	P	S	O	1	EH

9-HVIL

EN	LESS HVIL FOR 14,0MM
E	LESS HVIL FOR 8,0MMN
EH	WITH HVIL (STANDARD AND RECCOMENDED)